

# Wall Mounted Flagship Range



## nocria™ X



Model: ASYG09KXCA / ASYG12KXCA



### Specifications

Model No.	Indoor unit		Outdoor unit		ASYG09KXCA	ASYG12KXCA
	Outdoor unit		AOYG09KXCA		AOYG12KXCA	
Power Source	Single-phase, ~230V, 50Hz					
Capacity	Cooling	kW			2.5 (0.6-3.5)	3.4 (0.6-5.3)
	Heating	kW			3.6 (0.6-7.1)	5.0 (0.6-9.0)
Input Power	Cooling/Heating		kW	0.460/0.630		
EER	Cooling			5.45		
	Heating			5.72		
COP	Cooling/Heating(-10°C)		kW	2.5/3.4		
Pdesign	Cooling			8.50		
	Heating (Average)			5.10		
SEER	Cooling			8.50		
	Heating (Average)			5.10		
Energy Efficiency Class	Cooling			A+++		
	Heating (Average)			A+++		
Max. Operating Current	Cooling/Heating		A	8.5/14.0		
Annual Energy Consumption	Cooling			103		
	Heating			934		
Moisture Removal			l/h	1.1		
Sound Pressure Level	Indoor (Cooling)	H/M/L/Q	46/42/38/28			
	Indoor (Heating)	H/M/L/Q	48/43/39/30			
	Outdoor (Cooling/Heating)	High	40/41			
Sound Power Level	Indoor (Cooling/Heating)	High	58/62			
	Outdoor (Cooling/Heating)	High	53/57			
	Indoor / Outdoor (Cooling)	High	670/1,975			
Airflow Rate	Indoor / Outdoor (Cooling)	High	810/1,820			
	Indoor / Outdoor (Heating)	High	670/2,230			
Net Dimensions	Indoor		mm	293×786×378		
	H x W x D		kg(lbs)	20 (44)		
	Outdoor		mm	704×820×315		
Weight			kg(lbs)	41 (90)		
			kg(lbs)	6.35/9.52		
Connection Pipe Diameter (Liquid / Gas)			mm	13.8 / 15.8 to 16.7		
Drain hose Diameter (I.D./O.D.)			mm	15 (15)		
Max Pipe Length (Pre-Charge)			m	10		
Max Height Difference			°CDB	-10 to 43		
Operation Range	Cooling			-15 to 24		
	Heating			R32 (675)		
Refrigerant	Type (Global Warming Potential)			1.30 (0.9)		
	Charge			kg(CO2eq-T)		

### Comfortable airflow control to prevent the body from being exposed to airflow



The comfortable space can be created with Hybrid Airflow, which combines different temperatures of air current and velocities.

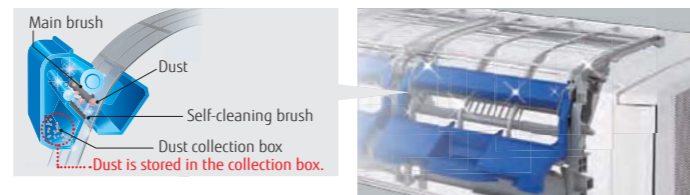


\*1: Announced 2012. In room air conditioner for the home (Our company's investigation)

### Filter Auto Clean



Dust on the filter is automatically removed to prevent power from being wasted by the clogged filter.



\*2: Announced 2002. In room air conditioner for the home (our company's investigation)

### Plasma Air Clean

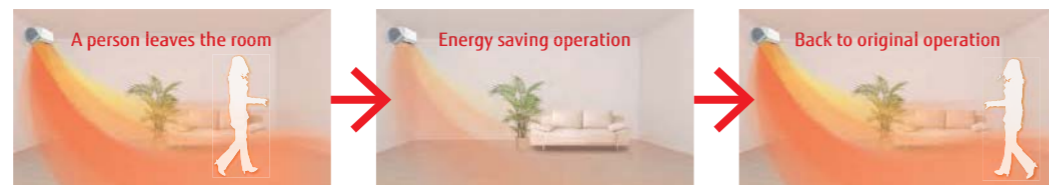
Air is cleaned with an electric dust collecting technology. Pollen, house dust and other tiny pollutants are collected and removed with static electricity.



### Human Sensor

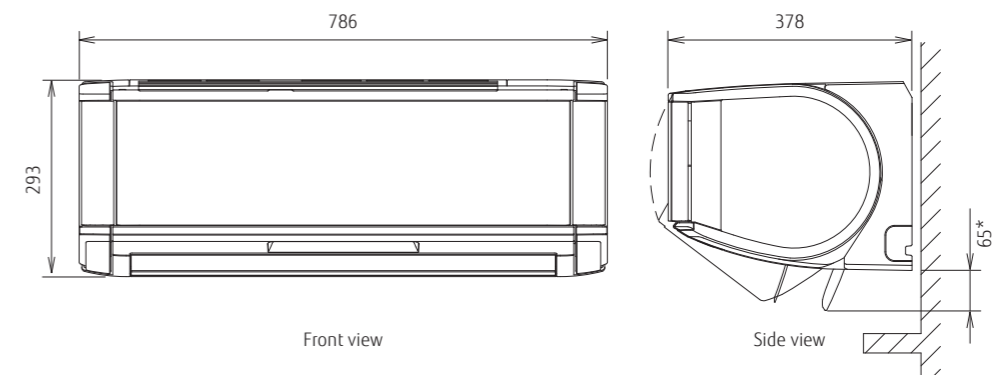
The Human sensor detects movement of people in a room and operates at reduced capacity when people leave the room. When people return to the room, the system automatically returns to the previous room settings.

Rank **A+++** SEER **8.5** \*3 SCOP **5.1** \*3  
\*3: All classes



### Dimensions

(Unit : mm)



\*Dimensions in case of air flowing downward